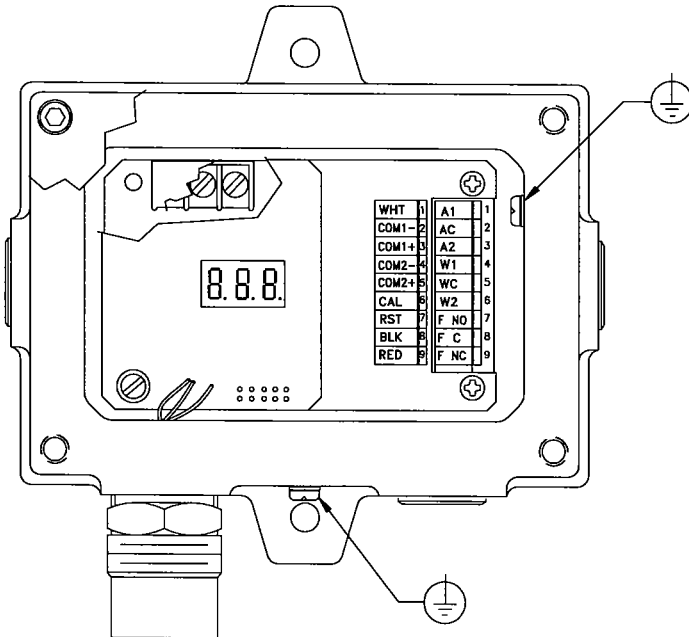
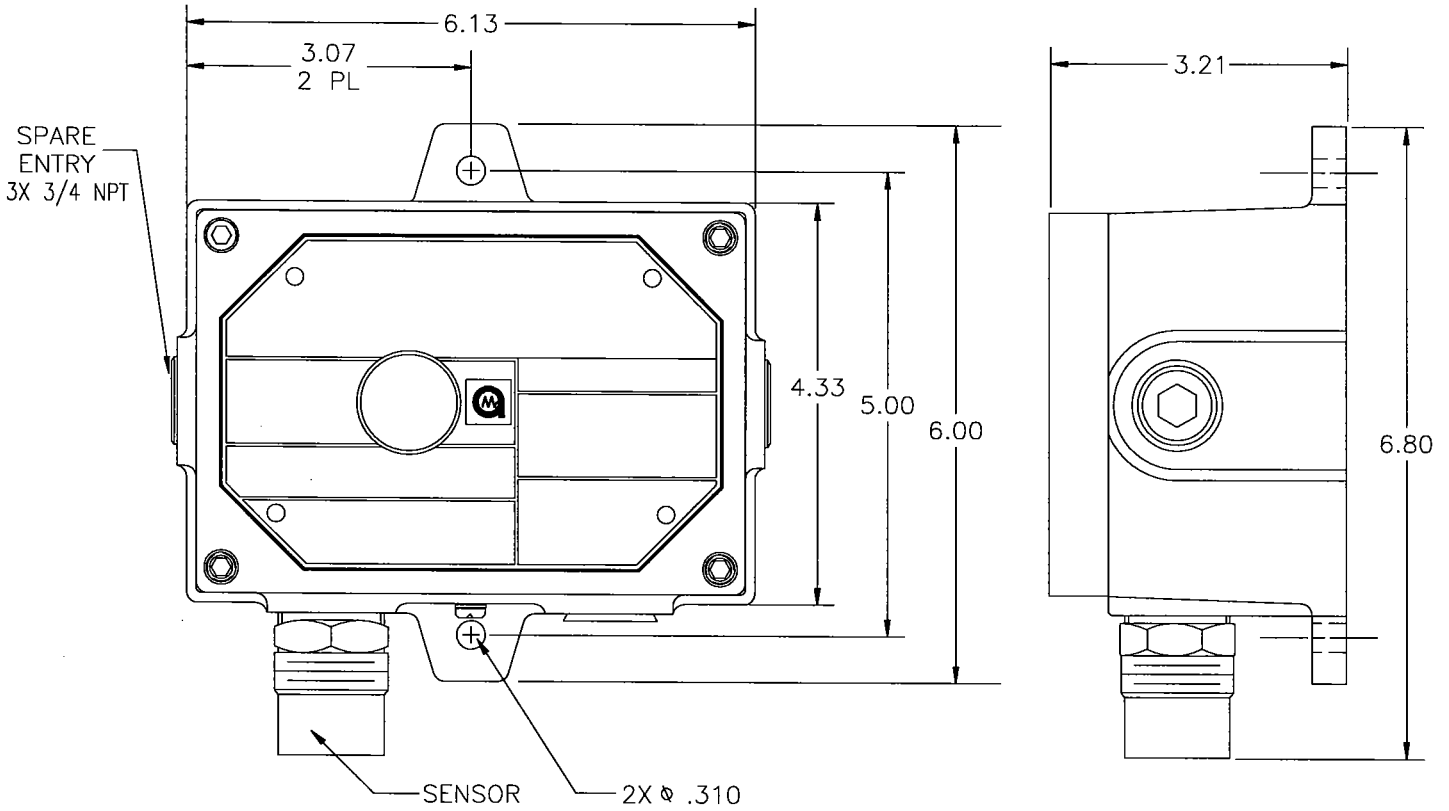


GENERAL MONITORS

9776 Whithorn Drive  
Houston, TX 77095

ph (281) 855-6000  
fax (281) 855-3290

Model S4000C  
Intelligent Sensor  
for Combustible Gas Detection



W B R		SENSOR CONNECTIONS ONLY.		P/N 31177-1	
SENSOR		DO NOT APPLY +24VDC		TB2	TB3
TB1	1	A1	1	1 0-20mA	A1 1
	2	AC	2	2 COM1-	AC 2
	3	A2	3	3 COM1+	A2 3
	4	W1	4	4 COM2-	W1 4
	5	WC	5	5 COM2+	WC 5
	6	W2	6	6 CAL	W2 6
	7	F NO	7	7 RST	F NO 7
	8	F C	8	8 COM	F C 8
	9	F NC	9	9 +24VDC	F NC 9

NOTE		RELAY CONTACT	
NORMALLY ENERGIZED		NORMALLY DE-ENERGIZED	
TB3 POS 1 - NO	POS 4 - NO	TB3 POS 1 - NC	POS 4 - NC
TB3 POS 2 - C	POS 5 - C	TB3 POS 2 - C	POS 5 - C
TB3 POS 3 - NC	POS 6 - NC	TB3 POS 3 - NO	POS 6 - NO

TITLE		MODEL S4000C OUTLINE DIMENSIONAL		GENERAL MONITORS Lake Forest, CALIFORNIA	
DRAWN	PRO/C	MATERIAL		<small>This information and technical data disclosed by this document may be used and disseminated only for the purposes and to the extent specified and authorized by General Monitors, Inc. in writing. No information and technical data are proprietary to General Monitors, Inc. and may not be used or disseminated without its written consent.</small>	
CHKD		DATE			
APPD		09MAY01			
CAD No.		SCALE NTS			
		DRG No.		S4000C SKETCH	
		SHEET 1 OF 1		REV 1	